

STC-1000 Thermostat

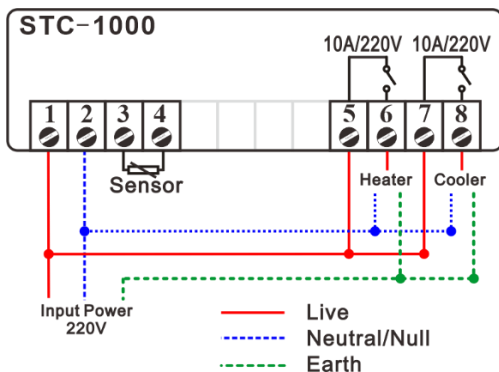
Quick Start Guide

(Version 22.11.32GEN)

[Video on YouTube](#)

STC-1000 thermostat offers two relays to wire one refrigerator and one heater; it will auto-switch between the heating and cooling mode; that's why it was taken as "All-Purpose Temperature Controller."

1. Wiring Diagram



This unit does not output AC electricity; hence you have to wire all live and null wires to each port; you may use the jumper wire conveniently.

2. Function Menu

Code	Function
F1	Temperature Setpoint
F2	Temperature Hysteresis /
F3	Protection Delay Time for the
F4	Temperature Calibration

3. Set the Aimed Temp Range

The aimed temperature range was defined from “F1 - F2” (if lower than this, trigger heating) to “F1 + F2” (if higher than this, trigger cooling), hence you need to set both “F1” and “F2”.






3.1. Configure Parameters

- 1) Hold the **S** key for 3s to enter the menu list; the display shows the code F1;
- 2) Press the **S** key to see the existing value, press direction keys to change it;
- 3) Press the **⏻** key to save data.

Attention: the new data **will be discarded** and back to normal status if **without operation in 8 seconds**.

3.2. More Tips

Under normal status

- Press the  key to check the temperature set-point $F1$;
 - Press the  key to check the Hysteresis value $F2$;
 - Hold the  key for 3s to power off / on;
 - Hold the  and  keys at the same time for 5s to restore factory settings.
-

This is not a step-by-step user manual;

It just shows the key points.

The new user should read the Full-Content Version User
Manual



Haswill Electronics

[STC-1000 Thermostat](#)

Copyright Haswill-Haswell All Rights Reserved