

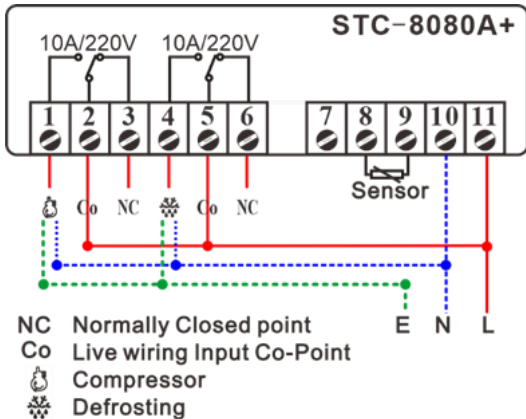
# STC-8080A+ Thermostat

## Quick Start Guide

(Version 22.11.03GEN) [Video on YouTube](#)

STC-8080A defrosting thermostat with one sensor and two output relays to connect and control the refrigeration and the defrosting unit, alarm once temperature overs your preset point.

## 1. Wiring Diagram



This unit does not output AC electricity; hence you have to wire all live and null wires to each port; you may use the jumper wire conveniently.


## 2. Function Menu



	Function
<i>F 1</i>	Temperature for Refrigeration Starts
<i>F 2</i>	Temperature for Refrigeration Stops
<i>F 3</i>	Calibration = Real – Measured
<i>F 4</i>	Defrosting Cycle / Interval Time
<i>F 5</i>	Defrosting Lasting Time
<i>F 6</i>	Over-temperature to Trigger Alarm (more than <i>F 1</i> )


## 3. Configuration

The aimed temperature range was defined from “*F 1*” to “*F 2*”; you need to set both.

- $\geq F 1$ , refrigeration starts.
- $\leq F 2$ , refrigeration ends.

**Step1** Hold the  key for 3s, and the code *F1* will appear.

**Step2** Press the  or  keys to get the aim function you want to update;

**Step3** Press the  key to check the existing value;

Hold the **Set** key meanwhile press the **▲** or **▼** key to change the value;

**Step4** Release all keys once it reaches your aim value;  
Repeat operation from Step 2 / 3 / 4 to adjust other parameters;

**Step5** After configuring all values, press the **Ret** key to save data and back to normal monitor status.

Attention: the modified value will be saved automatically and back to normal status if without operation in 30 seconds.

## 4. Open the Forced Refrigeration

Hold the **▼** key for 3s to start the forced-defrosting mode; do it again to stop defrosting.

### More Tips:

This unit controls the defrosting only by the time, but not by the evaporator temperature like [STC-9100](#).

This is not a step-by-step user manual;  
It just shows the key points.

The new user should read the Full-Content Version User  
Manual



Haswill Electronics

[STC-8080A+ Thermostat](#)

Copyright Haswill-Haswell All Rights Reserved